

T.W. Ingham & Sons

Exquisite & dependable craftsmanship since 1892

INSTALLATION INSTRUCTIONS
**For the Original Regency Dome Light &
Skylight 1080 mm & 850mm Dia.**



Summary of installation of the Original Regency Dome Light & Skylight

THE ORDER IN WHICH INSTALLATION SHOULD TAKE PLACE

- 1. COMPLETE CHECK LISTS**
- 2. PREPARATION & CONSTRUCTION OF CEILING DOME WELL** See Section #1
- 3. FIXING THE DOME AND DRUM INTO THE CEILING.** See
Section #2
- 4. FIXING THE SKYLIGHT IN PLACE** - See Section #3
- 5. JOINT THE DRUM LID TO THE SKYLIGHT WITH THE LIGHT FLUE** - See
Section #3
- 6. FIXING THE PLASTER RING.** - See Section #2
- 7. PAINTING THE ORIGINAL REGENCY DOME.** - See Section #2

INSTALLATION OF THE ORIGINAL REGENCY DOME AND SKYLIGHT COMPANY PTY
LTD

DOME, DRUM AND 'WOODROFFE' SKYLIGHT

PLEASE READ CAREFULLY. Instructions, disclaimers and qualifications.

BEFORE YOU DO ANYTHING
CHECK THE AREA ABOVE THE CEILING
WHERE YOU INTEND TO PLACE YOUR
ORIGINAL REGENCY DOME FOR ELECTRICAL WIRING,
GAS
PIPES, AIR-CONDITIONING DUCTS, INSULATION ETC.
AND
ENSURE THAT ALL OR ANY ARE DIVERTED OR MOVED
BY A
QUALIFIED TRADESPERSON BEFORE YOU
COMMENCE.

ALL INSTRUCTIONS ARE TO BE USED AS A GUIDE ONLY.

SOME HOMES MAY NEED ALTERNATIVE OR ADDITIONAL
SOLUTIONS DURING INSTALLATION.

PLEASE CONTACT US IF ANY UNFORESEEN PROBLEM OCCURS IN THE
INSTALLATION
OF THE ORIGINAL REGENCY DOME, DRUM AND WOODROFFE'S SKYLIGHT

All structural work in Sections #1 & Section #2 must be completed by a licensed
builder or carpenter and be completed to the regulations set down by the authority
in the state in which the Original Regency Dome & Drum is to be installed.
The Woodroffe's skylight should be installed by a qualified skylight installer or roofing
contractor.

PLEASE TAKE NOTE

The Original Regency Dome and Light Company Pty Ltd
takes no responsibility for any structural alterations made to your
home in relation to the installation of the Original Regency Dome
and Drum and the Woodroffe's skylight & light shaft

- electrical fittings and fixtures used in the Original Regency Dome and Light have been installed by a qualified A Class electrician
- All Fiberglass work has been done by qualified trades people.
- Construction of the drum has been carried out by a qualified engineer.

DEFINITION OF TERMS USER IN ALL SECTIONS OF INSTALLATION INSTRUCTIONS

The ORIGINAL REGENCY **SKYLIGHT** is the fixture on the roof that lets in light.

The ORIGINAL REGENCY **DOME** is the ceiling fixture.

The ORIGINAL REGENCY **DRUM** is the lighting and diffuser fixture which fits above the dome. The **DRUM WELL** is the hole in the ceiling in which the dome is to be placed.

CHECK LIST

CONTENTS OF YOUR KIT: *Please handle all items with Care.*

THE ORIGINAL REGENCY DOME & SKYLIGHT KIT:

- INSTALLATION INSTRUCTIONS SECTION #1, SECTION #2 & SECTION #3
- PLASTER CENTREPIECE
- THE LIGHTING DRUM **This will lift off in one piece and is ready to install.**
- THE ORIGINAL REGENCY DOME
Please DO NOT unwrap this unit until it is ready to install as this is easily damaged.
- PLASTER RING

SKYLIGHT ROOF DOME & FLUE (SEPARATE CARTON) :

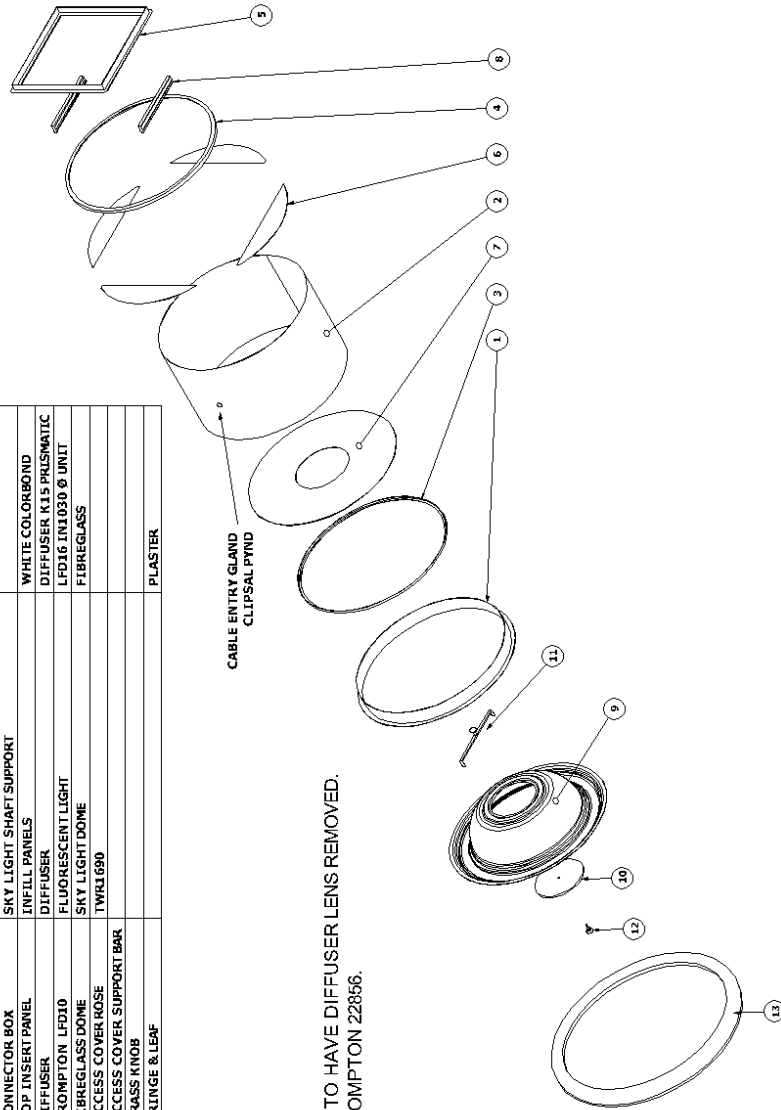
- INSTALLATION INSTRUCTIONS FOR WOODROOFE SKYLIGHT
- ACRYLIC DOMELIGHT
- METAL BASE
- FLASHING
- FLUE CORNERS (4 X 1200 mm or as ordered)
- FLUE SHEETING (4 X 1200 mm or as ordered)

CHECK LIST OF TOOLS AND ADDITIONAL HARDWARE YOU WILL REQUIRE.

- Tape Measure
- Marking pen
- Power drill & bits
- Cordless drill with clutch or tech gun
- 32mm W point bugle head screws pack of 100, 50mm Type 17 roofing screw 8 off, 8x12mm wafer head drill point screws pack of 100.
- 2 x lengths of 35 x 75 mm F7 construction grade softwood bearers 3200 mm long (Use the bearers as noggins and triangulation after the dome well (throat) is in place).
- 2 x lengths of 35 x 70 mm F7 F7 construction grade softwood joists to lengths required after following instructions in Section #1 (Usually about 4 x 3 metre lengths)
- Keyhole saw.
- Hand saw (preferably mitre saw) for cutting out joists if you do not have a cut-out power saw)
- 2 x lengths of 35 x 70 mm F7 construction grade softwood joists to lengths required.
- Length of cord and nail for marking out area to cut for dome well (throat) in ceiling
- Caulking gun and silicone
- Stanley Knife or similar – sharp
- Gaffer Tape - Duct Tape x 50 m roll
- Hack Saw
- Tin snips and hammer
- Cleaning Material (Methylated spirits or Glass cleaner)
- 1 kg bag cornice adhesive
- 1" soft paintbrush (For removing excess adhesive)

Some clean rags

Parts List				
ITEM	QTY	PART NUMBER	DESCRIPTION	DETAILS
1	1	RING 1	ALUMINIUM BOTTOM RING, 835mm INSIDE DIA	WHITE POWDER COATED
2	1	OUTER CASE	DRUM, 500mm DEEP	WHITE COLORBOND
3	1	INNER RING	DIFFUSER SUPPORT	WHITE POWDER COATED
4	1	TOP RING	SKY LIGHT SHAFT SUPPORT	
5	1	CONNECTOR BOX	SKY LIGHT SHAFT SUPPORT	
6	4	TOP INSERT PANEL	INFILL PANELS	WHITE COLORBOND
7	1	DIFFUSER	DIFFUSER	DIFFUSER K115 PRISMATIC
8	2	CROMPTON LFD10	FLUORESCENT LIGHT	LFD16 IN1030 6 UNIT
9	1	FIBREGLASS DOME	SKY LIGHT DOME	FIBREGLASS
10	1	ACCESS COVER ROSE	TWR1690	
11	1	ACCESS COVER SUPPORT BAR		
12	1	BRASS KNOB		
13	1	FRINGE & LEAF		PLASTER



- NOTE:**
- LIGHTS TO HAVE DIFFUSER LENS REMOVED.
 - USE CROMPTON 22856.

T.W. Ingham & Sons
Exquisite & dependable craftsmanship since 1892

EXPLODED VIEW OF LIGHT DRUM

INSTALLATION OF YOUR ORIGINAL REGENCY DOME & LIGHT COMPANY HERITAGE SKYLIGHT

SECTION #1

SECTION #1

PREPARATION & CONSTRUCTION OF CEILING DOME WELL

Note the following instructions are for traditional roofs only or truss roofs where trusses are at 1200 centres. The skylight dome cannot be used in roofs where trusses would need to be altered.

Locating the position of the dome and framework

- i) From underneath locate the exact position you wish to position your dome and drill a small hole in the ceiling at the centre. This hole will enable you to see the location when in the roof cavity. **(Only do this after you have checked for wiring, gas pipes, etc..)**

- ii) In the event that you intend to position the dome in place of an existing light fitting you will need to get an qualified electrician to disconnect the light and make the wiring safe before you continue. Then get the electrician to fix a plug socket 800mm to 1000mm from the dome centre.

- iii) Go up into the roof cavity and check the position of your `Centre Point', measure 600mm out each way and mark the points where you will need to build your framing. You will generally find the `Centre Point' is in or between 2 ceiling joists, this means you will have to remove two sections of nearby joists.

- iv) Mark out on the ceiling using a cord & a pencil the diameter of the light drum use a radius of 3mm larger than the ring (see item 1 in expanded view of skylight). Cut out ceiling lining to this mark with a keyhole saw and remove. **Do not cut thru ceiling joists at this stage !** See figure 1

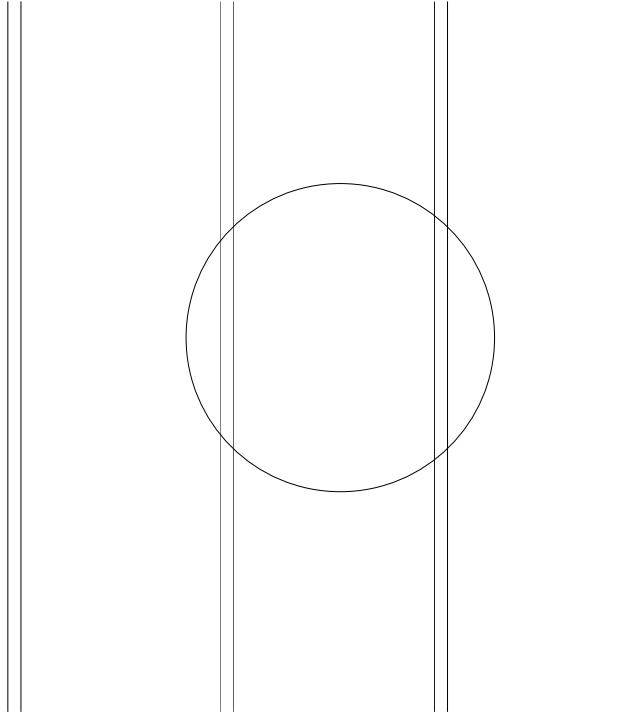


Figure 1

Removing the joists and building the frame

- i) Support the ceiling with bearers at 700mm from centre point spanning at least 2 joists either side of the 'Centre Point' on either side of the proposed dome well. USE 75 X 35mm on edge and Tech Screw into position at an angle, **NO NOT NAIL** as this could cause problems with ceilings popping nails or cracking. This also enable you to remove the supports easily when the dome well frame is built and use them for noggins.

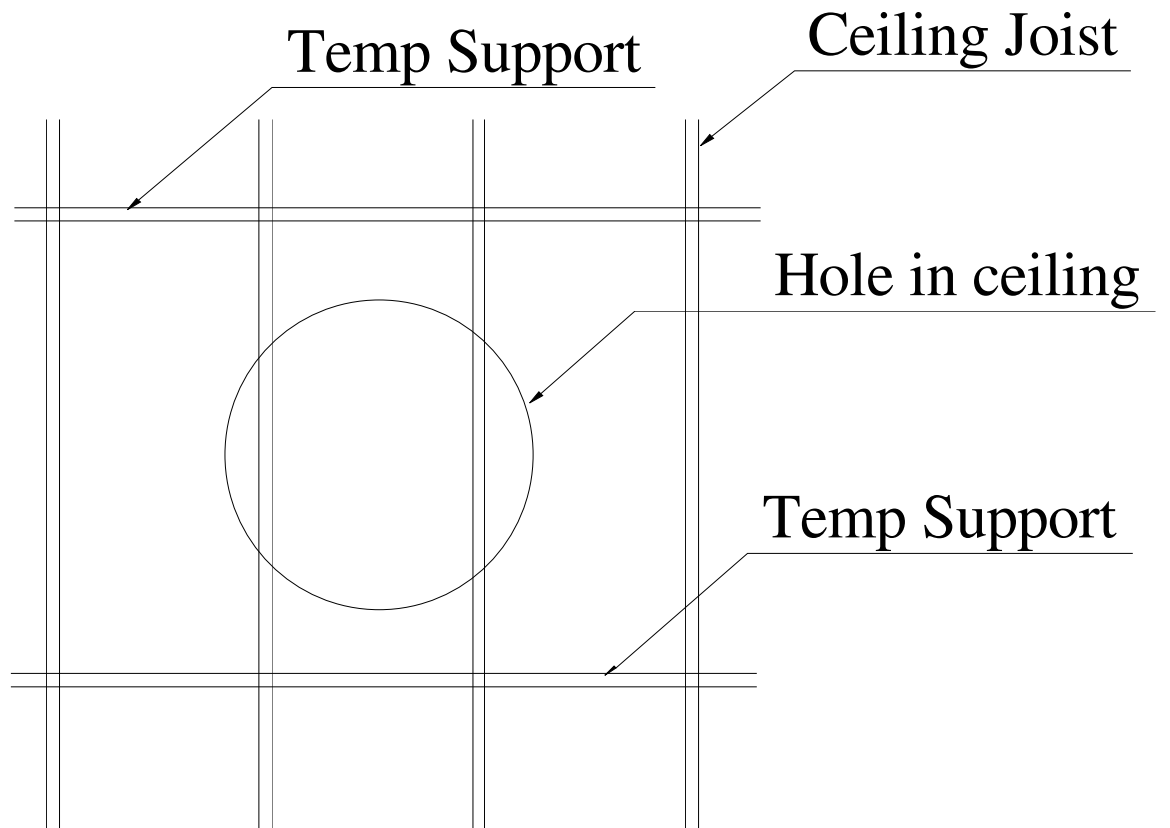


Figure 2

- ii) Ceiling joists may be supported by hanging beams that happen to fall over the location of the skylight dome. If this is the case new hanging beams will need to be installed either side of the dome opening.
- iii) Now curtail the joists that protrude into the skylight opening and cross trim. Line up trimmers level with the side of the dome opening. See figures 2 & 3

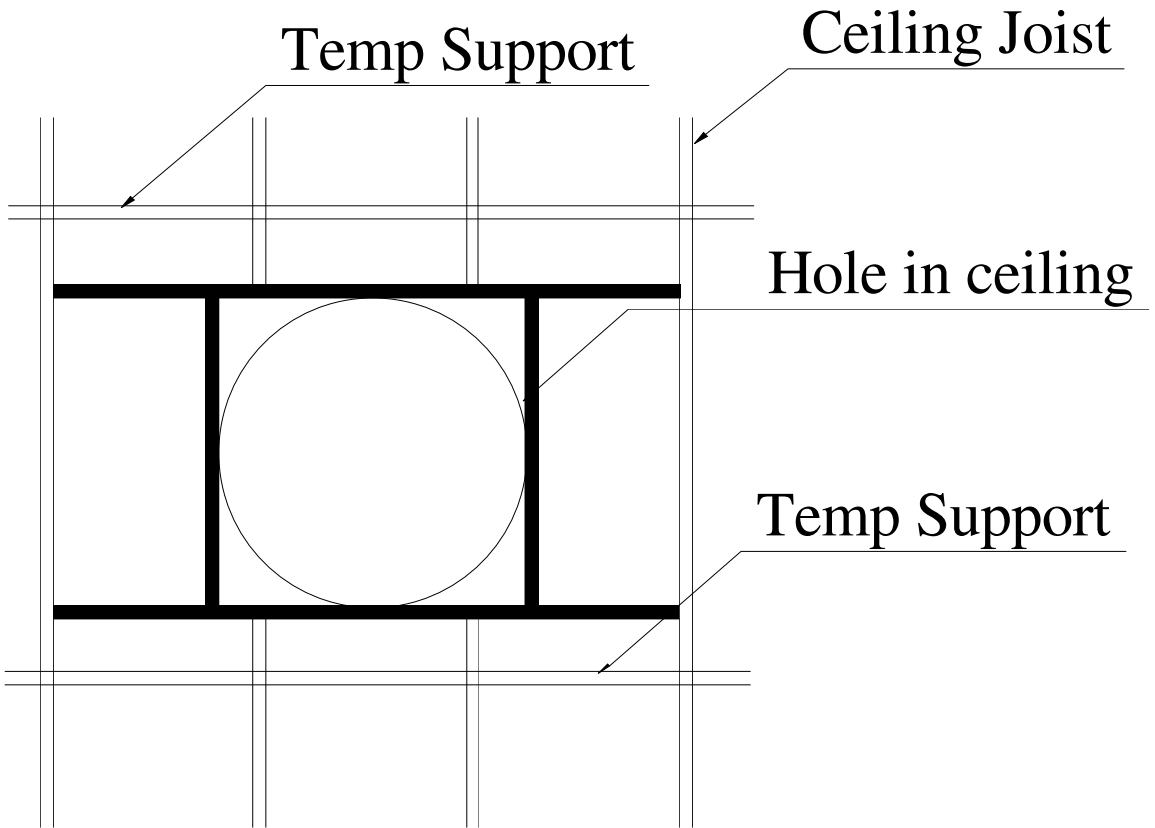


Figure 3

- iv) Add triangulation trimmers as shown and remove temporary support bearers. See Figure 4

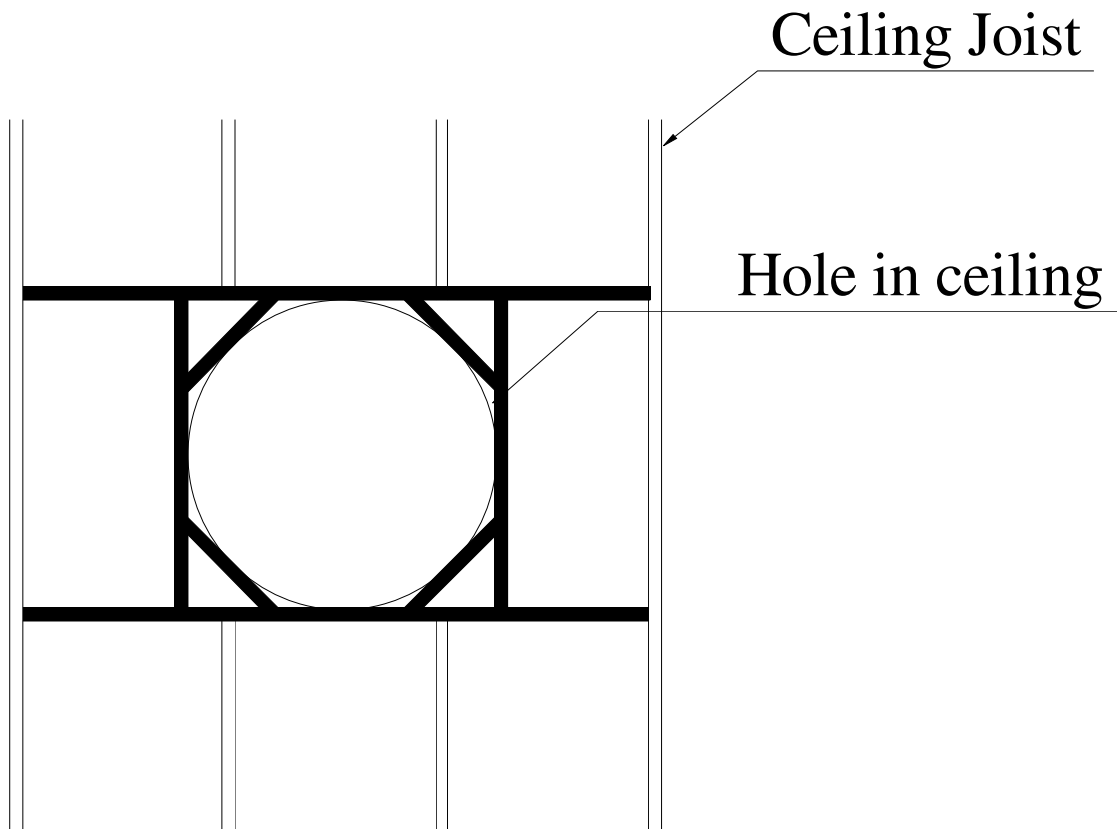


Figure 4

- v) Now refix the perimeter of the existing ceiling to the new frame at 150mm centers using 32mm w point bugle head screws.

The light Well is now complete & ready for the installation of the light drum. This is a good time to have the electrician install the power supply if you have not already done so.

INSTALLATION OF
YOUR ORIGINAL
REGENCY DOME &
LIGHT COMPANY
HERITAGE SKYLIGHT

SECTION #2

SECTION #2

INSTALLING THE ORIGINAL REGENCY DOME & DRUM

Once you have completed the ceiling to a safe and stable condition you are ready to install the lighting drum.

This is a two person operation.

It is good to make sure you have somewhere to get out of the roof at this stage.

- i) Test fit the drum into the light well, adjust trimmers & ceiling lining to suit if necessary. Carefully rotate the drum until the square section on top of the drum lines up with the cavity where the skylight will be installed. Ensure that the plug is aligned to the power point.
- ii) Once happy with the fit and rotation of the drum to the light well pre-drill clearance holes in the rim of the light drum to take the roofing screws. These screw holes should be at the tangent where the drum meets the trimmers.
- iii) Refit drum into light well and fix in place with 50mm type 17 roofing screws. See detail on skylight section.
- iv) Unwrap the Original Regency Dome and wipe over using a clean dry cloth and any gentle glass cleaner or methylated spirits. (Remember, the dome is hand made in keeping with Heritage traditions and should be treated with care at all times). Place The Original Regency Dome under the Drum making sure the lip overlaps the rim all round and check position from below.
- v) Once aligned fix the dome to the drum with 8 x 12 drill point wafer head screws @ 150 mm centers.

FIXING THE PLASTER RING. (2 PEOPLE REQUIRED).

Complete section 3 before proceeding to the fixing of the plaster products

A sponge and bucket of soapy water is needed.

This part of the installation must be done very carefully.

Make sure the area around the ceiling is clean and free of paint around the rim of the Original Regency Dome. If necessary use the edge of a scraper to score ceiling, this can assist adhesion.

Mix up the cornice adhesive to directions.

Butter up the entire base of the ring with cornice adhesive ensuring complete coverage and create shallow grooves 100 mm apart (this forces out the air and helps speed up adhesion) .

Carefully place the ring up to the rim of the Original Regency Dome. If you crack plaster ring - **DO NOT WORRY** - this can be filled later. Hold in place for about 5 minutes or until ring is securely fixed.

Gently wipe off excess adhesive with a clean damp cloth until the area all around the ring has a smooth finish

There will be a small gap between the ring and the Original Regency Dome. Fill this gap with gap sealant and wipe round with index finger dipped in soapy water to ensures a clean smooth finish.

ALLOW TO DRY AND SAND CORNICE ADHESIVE AND PLASTER RING
WITH FINE SANDPAPER.

PAINTING THE ORIGINAL REGENCY DOME

When everything is dry you are ready to undercoat the clear raised part of the Original Regency Dome (BUT NOT THE PLASTER RING).

Using black-out paint apply 2 coats paint to the first ring of the dome and steps plus any other areas you decide you want to colour. Allow to dry before apply 1 coat of undercoat and 2 coats of top colour. Our advice is to black out and paint only the raised areas of the Original regency Dome (see photo)

A good sign writer or master painter should be able to do the whole job for you in 2 hours.

INSTALLATION OF PLASTER CENTREPIECE

Undercoat and paint plaster centre piece to requirements.

Secure plaster centerpiece to the centre of the Original Regency Dome with brass knob.

Remember you can repaint at any stage to change the look.

CHANGING THE GLOBES IN THE ORIGINAL REGENCY DOME

To replace globes or clean simply remove the centerpiece by unscrewing the brass knob.

Unscrew one wing nut and remove bolt and washers and move bar to the side. With the light on you will be able to see any globes that need replacing. **TURN OFF THE LIGHT**

The globes are located above the diffuser. Simply twist out and replace.

Move bar back into the original position, and replacing wing nut and washers.

Re-secure plaster centerpiece to the Original Regency Dome with brass knob.

INSTALLATION OF
YOUR ORIGINAL
REGENCY DOME &
LIGHT COMPANY
HERITAGE SKYLIGHT

SECTION #3

SECTION #3

INSTALLATION AND FIXING OF WOODROFFE SKYLIGHTS

Refer to the instructions enclosed supplied by **WOODROFFE SKYLIGHTS** for installation of dome light skylight and light shaft.

JOINT THE CONNECTOR BOX TO THE SKYLIGHT WITH THE FLUE (SEE INSTRUCTIONS #3).

Seal all the edges of the flue and drum with duct tape. This will keep out dust and insects.

The skylight is vented to let out heat.

Silicone all round the skylight on the roof to ensure no weather can get in.

